

Circuit Diagram □: Terminal No.

Ordering information:

GD-PJS-2089

(1) (2) (3) (4) (5)(6) (7)

(1):Series No.

(2):Schematic option: M

(3):Material of housing:  
10=PA10T

(4):Housing color:  
0A=Black (Standard)

(5):Terminal plating  
S=Silver (Ag)

(6):Special option:  
00=No special option

(7):Packing mode:  
4=Bag packing

Specification:

1. Rating : DC 30V 0.5A.

2. Contact resistance:  $\leq 100m\Omega$ .

After life test:  $\leq 100m\Omega$ .

3. Insulation resistance:  $\geq 100M\Omega$  (500VDC).

After life test:  $\geq 50M\Omega$ .

4. Withstand voltage: 500VAC.

5. Insertion and extraction force: 3N~30N.

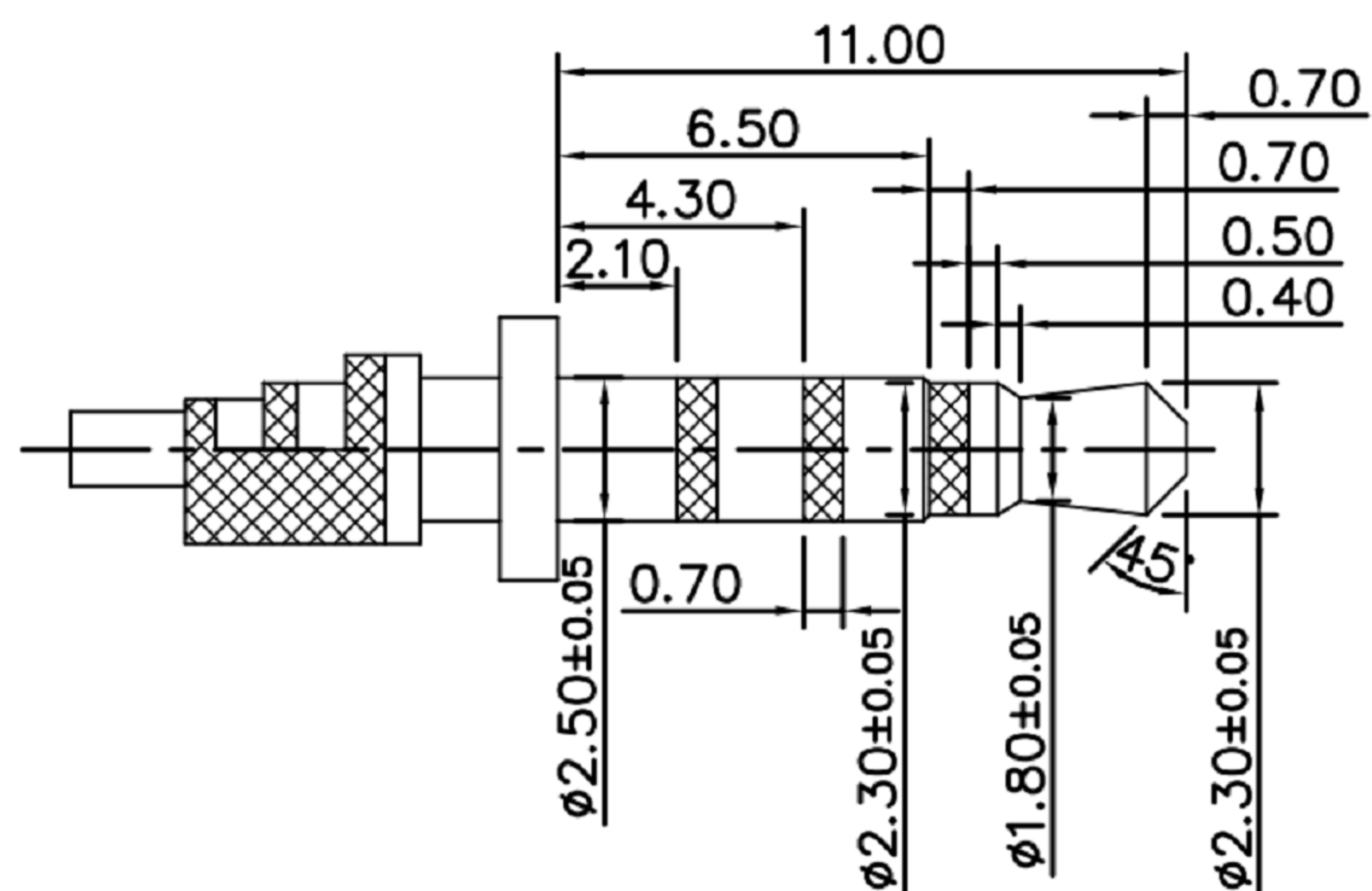
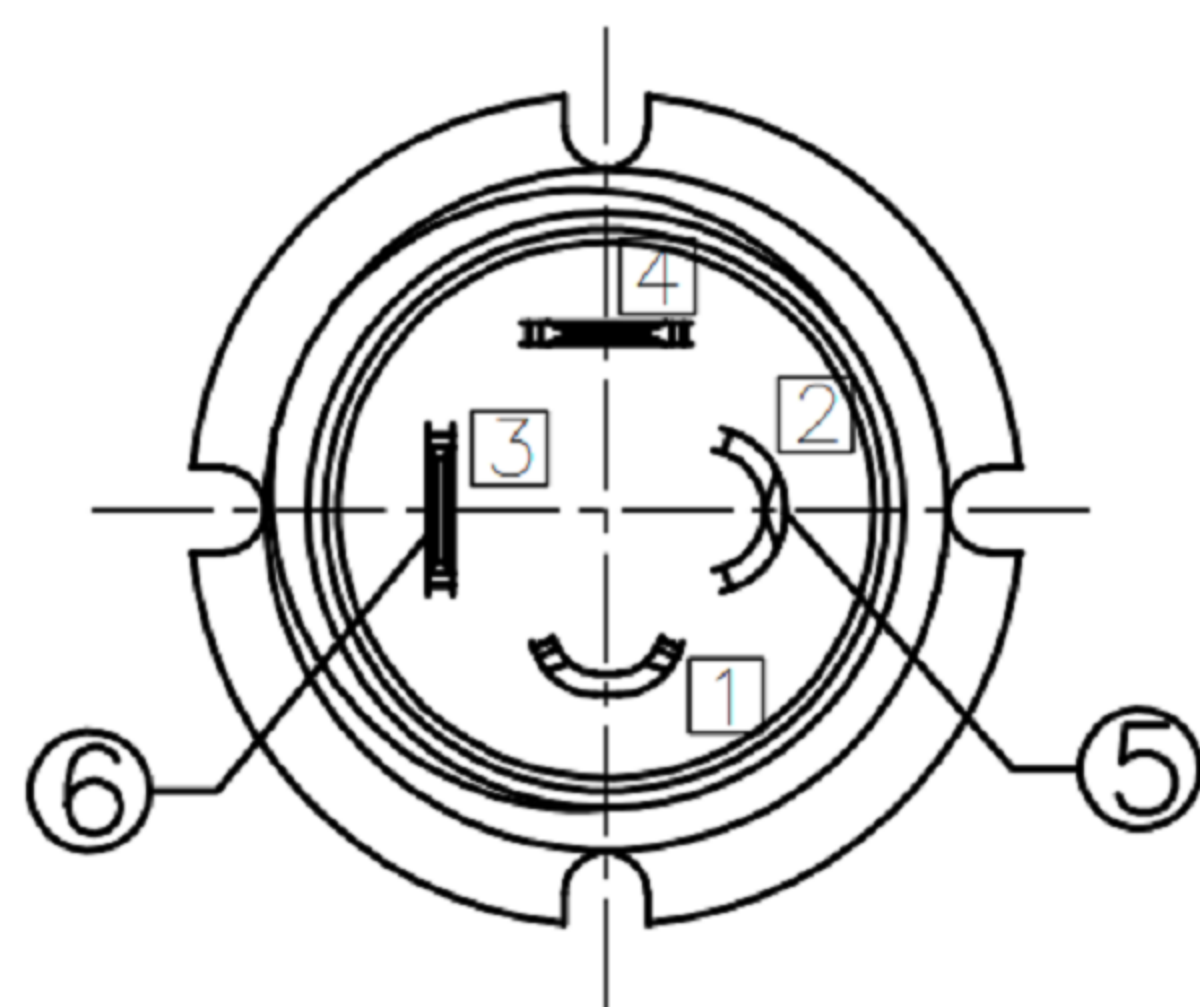
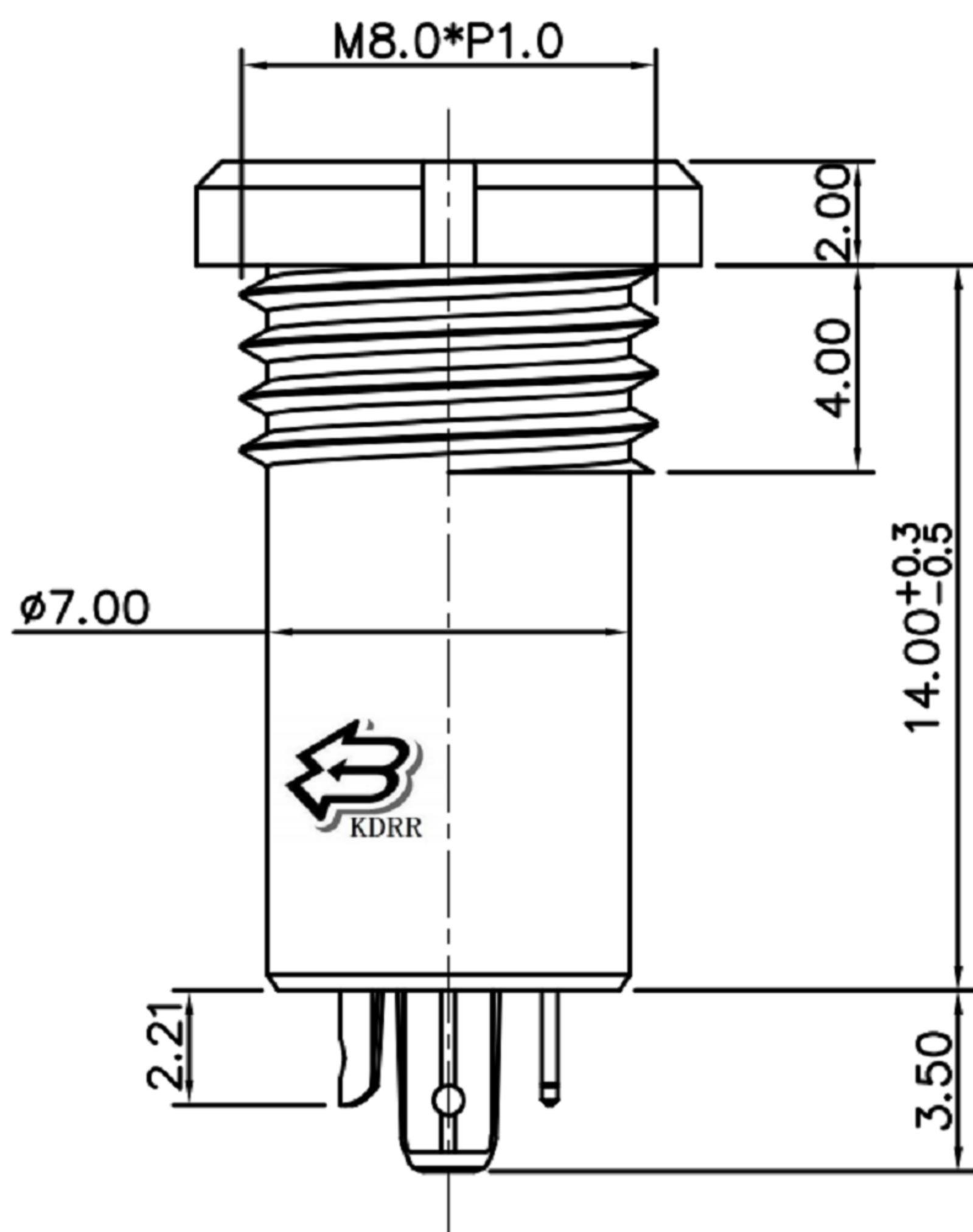
6. life test: 5000cycles min.

7. Operation temperature range:  $-20^{\circ}C \sim 70^{\circ}C$ .

8. Preservative temperature range:  $-40^{\circ}C \sim 85^{\circ}C$ .

9. Ingress protection: IP-X7.

10. The temperature of soldering iron is controlled at  $360-380^{\circ}C$  for 3-4 seconds.



RECOMMENDED PLUG  
φ2.5 4-POLE STANDARD PLUG

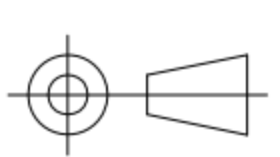
NO.	DESCRIPTION	QTY	MATERIAL	REMARK
⑧	Housing Cover	1	PA10T UL94V-0	Black
⑦	Spring B	④	Phosphor bronze t=0.25	Ag:8u"Min,Ni:40u"Min
⑥	Spring A	③	Phosphor bronze t=0.30	Ag:8u"Min,Ni:40u"Min
⑤	Tip spring	②	Steel Alloy t=0.25	Ag:8u"Min,Ni:40u"Min
④	Earth spring	①	Phosphor bronze t=0.25	Ag:8u"Min,Ni:40u"Min
③	Cover	1	PA10T UL94V-0	Black
②	Housing Body	1	PA10T UL94V-0	Black
①	Bushing	1	Copper Alloy	Ni:40u"Min

ITEM NO.	DESCRIPTION	DRAWN	DATE
5	新增PLUG標號	Jack	052819
4	更新圖面	Jack	052419
3	新增3d上方圖	Jack	101918
2	更新圖面	Jack	092818
1	新增尺寸	Jack	070717

TOLERANCE UNLESS OTHERWISE STATED:

Up to 5 ±0.2  
Above 5 ~ 15 ±0.3  
Above 15 ~ 30 ±0.4  
Above 30 ~ 50 ±0.5  
Angle ±0.3°

3RD. ANGEL'S



UNITS

MM



东莞市高迪电子有限公司

Dong Guan KDRR Electronic Switch Jack Co., Ltd.

DRAWN BY: DATE

Ming Ming Zou 6/8/23

CHECKED BY: DATE

Ning Ning Su 6/8/23

APPROVED BY: DATE

Jia Xiang 6/8/23

MAT'L	TITLE	JACK
FINISH	MODLE	PHONE JACK
SCALE	DWG NO.	GD-PJS-2089
SHEET NO.	PART NO.	
1 of 1		

SIZE  
A4  
VER  
R5